

HAULOTTE OPTIMUM 8.1

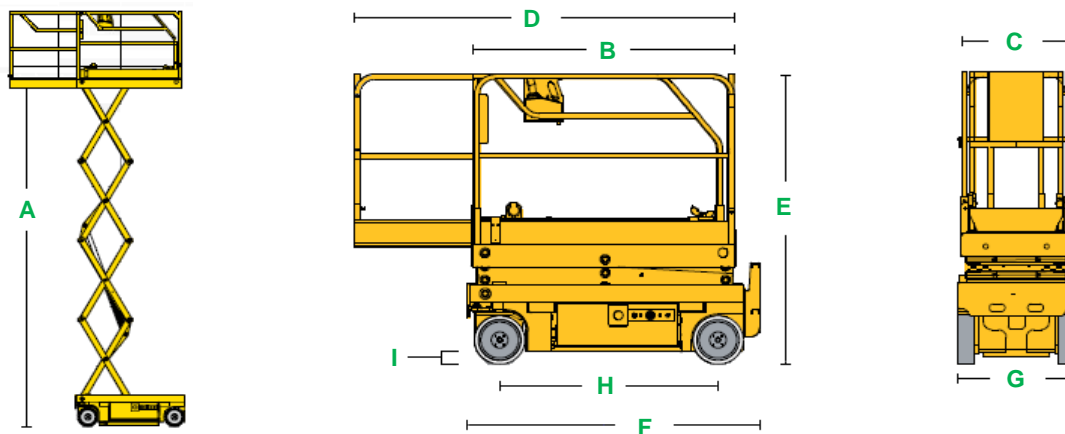


MEASUREMENTS		METRIC	IMPERIAL
Working height maximum*		7.76 m	25 ft 6 in
A	Platform height maximum	5.76 m	19 ft
Platform dimensions (length x width)			
B x C	Standard	1.68 m x 0.70 m	5 ft 6 in x 2 ft 4 in
D x C	Standard with extension	2.59 m x 0.70 m	8 ft 6 in x 2 ft 4 in
Slide-out platform extension deck		0.91 m	3 ft
E	Height - stowed	2 m	6 ft 7 in
F	Length - stowed / extended	1.90 m / 2.77 m	6 ft 3 in / 9 ft
G	Width	0.76 m	2 ft 6 in
H	Wheelbase	1.38 m	4 ft 6 in
I	Ground clearance - centre	8 cm	3 in
	- with pothole guards deployed	1.5 cm	1 in

PRODUCTIVITY		
Platform capacity	230 kg	507 lb
Slide-out platform extension deck capacity	115 kg	253 lb
Maximum number of persons - indoor / outdoor use	2 / 1	2 / 1
Maximum wind speed (12.5 m/s)	45 km/h	28 mph
Drive speed	0.6 - 4.5 km/h	0.3 - 2.8 mph
Gradeability**	25%	14.04°
Tilt	2°	2°
Inside turning radius	zero	zero
Outside turning radius	1.70 m	5 ft 7 in
Raise / lower speed	23 / 32 sec	23 / 32 sec
Tyres - solid non-marking	32 x 11 cm	12.5 x 4.25 in
Wheel load maximum***	750 daN	1686 lbf
Localised pressure per tyre***	17.8 daN/cm ²	3.65 lbf/sq.ft

POWER		
Power source	24 V - 180 Amph (C5) batteries	
Hydraulic system capacity	20 L	5.28 gal lqd

WEIGHT****		
	1,572 kg	3,465 lb



*The metric equivalent of working height adds 2 m to platform height. Imperial adds 6 ft to platform height.

**Gradeability applies to driving on slopes. See operator's manual for details regarding slope rating.

***Floor loading information is approximate. It should be used only with adequate safety factors.

****Weight will vary depending on options.