

## GENIE GS-3268 RT

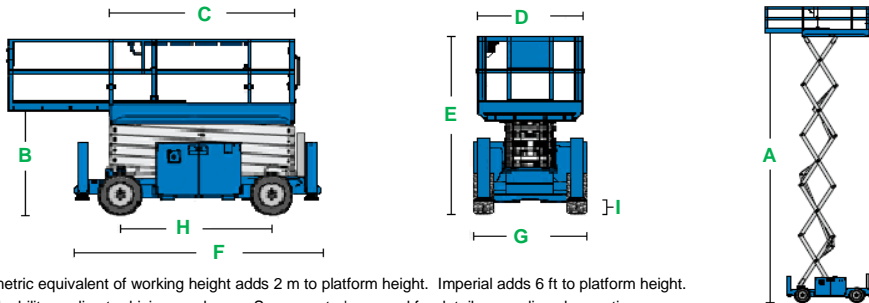


MEASUREMENTS		METRIC	IMPERIAL
Working height maximum*		11.75 m	38 ft 7 in
<b>A</b>	Platform height maximum	9.75 m	32 ft
<b>B</b>	Platform height stowed	1.31 m	4 ft 4 in
Platform dimensions (length x width)			
<b>C x D</b>	Standard	2.51 m x 1.55 m	8 ft 3 in x 5 ft 1 in
	Standard with extension	3.73 m x 1.55 m	12 ft 3 in x 5 ft 1 in
Slide-out platform extension deck		1.22 m	4 ft
Toeboard height		15 cm	6 in
<b>E</b>	Height - stowed	2.45 m	8 ft
	Height - stowed: rails folded	1.83 m	6 ft
<b>F</b>	Length - stowed / extended	3.40 m / 4.10 m	11 ft 2 in / 13 ft 5 in
<b>G</b>	Width	1.75 m	5 ft 9 in
<b>H</b>	Wheelbase	1.85 m	6 ft 1 in
<b>I</b>	Ground clearance - centre	19 cm	7 in

PRODUCTIVITY		
Platform capacity	454 kg	1,000 lb
Slide-out platform extension deck capacity	136 kg	299 lb
Maximum number of persons - indoor / outdoor use	4 / 2	4 / 2
Maximum wind speed (12.5 m/s)	45 km/h	28 mph
Drive speed - stowed	6.1 km/h	3.8 mph
Drive speed - raised	0.8 km/h	0.49 mph
Gradeability**	35%	19.29°
Maximum outrigger levelling - front to back	6.6°	6.6°
Maximum outrigger levelling - side to side	10.6°	10.6°
Inside turning radius	1.52 m	5 ft
Outside turning radius	3.68 m	12 ft 1 in
Raise / lower speed	40 / 37 sec	40 / 37 sec
Controls	proportional	proportional
Drive	four wheel	four wheel
Tyres - rough terrain lug	30 x 60 cm	12 x 23.6 in
Wheel load maximum***	893 kg	1,970 lb
Localised pressure per tyre***	5.76 kg/cm <sup>2</sup> (564 kPa)	82 psi
Occupied pressure***	9.24 kPa	193 psf

POWER		
Power source	Kubota diesel 15 kW (20 hp)	
Fuel tank capacity	56.8 L	15 gal lqd
Hydraulic system capacity	62.5 L	16.51 gal lqd

WEIGHT****		
	3,621 kg	7,983 lb



\*The metric equivalent of working height adds 2 m to platform height. Imperial adds 6 ft to platform height.

\*\*Gradeability applies to driving on slopes. See operator's manual for details regarding slope rating.

\*\*\*Floor loading information is approximate. It should be used only with adequate safety factors.

\*\*\*\*Weight will vary depending on options.